

**REBOUNDER™ MOUNTING INSTRUCTIONS**

Case IH 800, 900, 950, 955 Series Planters & IH 5400 Soybean Special Drills  
(Read Instructions Completely before Beginning Installation)

**Before working on your planter or drill**

**DANGER:** when storing or working on the planter always install cylinder stops or place the planter on stands to prevent personal injury or damage to the Rebounder. **WARNING:** do not roll back or back up the planter in or on the ground as this can result in damage to the Rebounder.

**Mounting Instructions**

Before you begin, verify all items listed in the “package contents” table at the right.

There are 2 options for in furrow application of fertilizer, chemical, or inoculants, see: **liquid fertilizer attachment mounting instructions** for this planter or drill series. **Option #1** is a plastic tube with the Hose Holder Kit, that goes inside the seed boot of the planter. **Option #2**, is a stainless steel tube with the Hose Holder Kit, that goes on the outside of the planter.

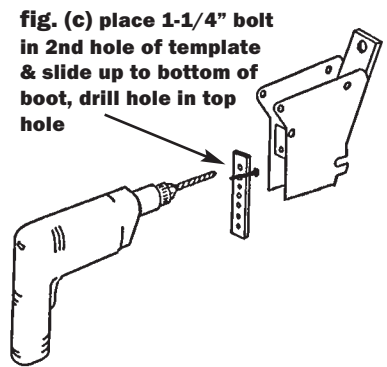
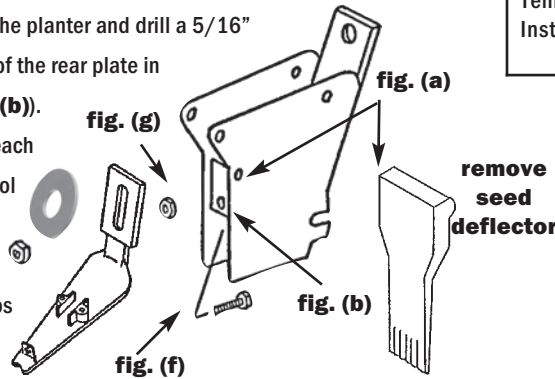
Rebounder Package Contents (per single row)	
Item	Quantity
Rebounder . . . . .	1
Fender washer . . . . .	1
5/16" x 1 1/4" bolt. . . . .	1
5/16" jam nut . . . . .	1
5/16" locknut . . . . .	1
Template tool . . . . .	1
Instruction Sheet . . . . .	1

**WITH THE SEED BOOT OFF THE PLANTER:**

**Step #1:** remove the 1/4" roll pin and the seed deflector and leave it out (**fig. (a)**).

**Step #2:** remove the shoe assembly from the planter and drill a 5/16" hole 7/16" up from the bottom of the rear plate in the shoe assembly or boot (**fig. (b)**).

Be sure to center the hole from each side (**fig. (c)** shows template tool which is provided with the Rebounder's). Use the template to drill the hole. **NOTE:** see steps #3 & #4 below for installation.



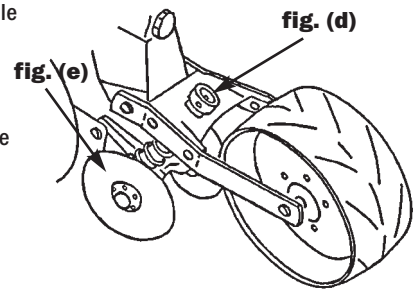
**WITH THE SEED BOOT ON THE PLANTER:**

**Step #1:** remove bolt and collar on the top end of down pressure spring assembly (**fig. (d)**).

**Step #2:** drop the spring tube out so the wheel and covering discs can be raised and blocked up while you drill a 5/16" hole in the back of the seed boot (**fig. (b or e)**). This eliminates having to remove the seed boot from the planter to drill the hole.

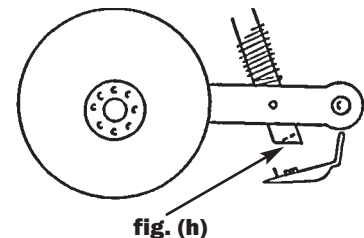
**Step #3:** put the 5/16" X 1 1/4" bolt through the drilled hole (**fig. (f)**). Install 5/16" jam nut on the bolt and tighten (**fig. (g)**).

**Step #4:** install the Rebounder and the fender washer over the bolt and tighten the lock nut to hold the Rebounder in place. 99% of the time the **Rebounder is run in the center of the slot**.



**Important Points to Remember:**

- Do not over tighten the nut that holds the Rebounder, you want the Rebounder to be snug against the outside pieces of the seed boot. It should be just tight enough to prevent slipping up and down in the slot.
- If you find the insecticide tube hits the top of the Rebounder when the planter is raised, you will need to cut or grind off 1/2" - 3/4" of the front of the insecticide tube (**fig. (h)**).
- also refer to, **TROUBLESHOOTING THE REBOUNDER ON CASE IH PLANTERS.**



## **THE REBOUNDER™ SEED COVER**

### **ABOUT THE REBOUNDER**

For ten years now, the Rebounder has proven to be a sensible solution for farmers nation-wide & abroad, not only increasing yields but also overall profits. With the passing of each planting season, we sit down and discuss the new changes that would not only make our Rebounder Seed Cover a better product, but also our other Profitable Seed Solutions. We understand the needs of farmers and try to stay abreast of the latest changes affecting them. Our products endure rigorous field tests, making them a dependable solution for years to come. Visit our website to see what farmers are saying about our products: [www.schaffert.com](http://www.schaffert.com)!

### **VIGOROUSLY FIELD TESTED**

As the double discs on a planter open a seed V in wetter, heavier soils, they tend to “orange peel” the side wall. Seeds can lodge on the side wall and not get all of the way to the bottom of the seed V. If you dig in the seed trench where the Rebounder has passed, you will find all of the seeds at the bottom of the seed V. The half moon notch in the end of the Rebounder keeps the Rebounder 1/4 - 1/2” off the bottom of the seed V eliminating any seed drag. When mounted to the seed tube, the Rebounder puts less than one pound of pressure on the seed tube when planting, keeping it from vibrating and helping to eliminate seed bounce. This small amount of pressure in the seed furrow row also eliminates mud from building up when planting in heavy, wet textured soils.

## **FREQUENTLY ASKED QUESTIONS**

### **DOES THE REBOUNDER PULL SOIL IN WITH THE SEED?**

The only time the Rebounder puts soil with the seed is in heavier wetter soils when the double discs that open the seed V orange peel the sidewall of the seed V. This is where the Rebounder shines over other attachments because it is shaped like the seed V it will peel the lodged seeds off the orange peeled side wall funneling them to the bottom.

### **DOES THE REBOUNDER PULL LOOSE DRY SOIL OFF THE SOIL SURFACE AND PLACE WITH THE SEED?**

NO! - The Rebounder is shaped like the seed V - it runs in the seed trench. The Rebounder enters the seed V directly behind the double disc openers and ahead of the gauge wheels that run along side the seed V. This lets the Rebounder put all the seeds in the bottom of the seed V before the gauge wheels cave any dry soil in over the seed. The Rebounder assures you better germination being in the bottom of the V with moisture on 3 sides of the seed and dry soil on top.

### **DOES THE REBOUNDER LEAVE SEEDS STRANDED ON THE SIDE WALL OF THE SEED V OR PRESS THEM IN THE SIDE WALL WHEN THEY LODGE ALONG THE SIDE?**

NO! - The patented concave shape of the Rebounder eliminates seeds from being stranded on the side wall. The Rebounder puts the seeds in the center of the bottom of the furrow. Other attachments with flat or rounded surfaces sometimes can leave seeds lodged in the sidewall. As one farmer put it when using other attachments “it’s like stacking two ball bearings or two marbles and try pressing them into the soil—you never know where they will end up.”

### **HOW DOES THE WHITE REBOUNDER COMPARE TO THE ORANGE SUPER TUFF REBOUNDER IN WEARABILITY?**

A good rule of thumb is take the length of the bar of your planter or drill and add two zeros to it, that’s normally the life of the White Rebounder. The Orange Super Tuff Rebounder is a totally different molding process where the molecules in the Rebounder stand up making the wearability superior to the White Rebounder where the molecules lay down. The Orange Rebounder will double to triple the life of the White Rebounder. Many farmers planting or drilling many acres with the Orange Rebounder these past 2 years make the comment that the Orange Rebounder will last the life of their disc blades.

### **WHITE VS. ORANGE?**

The Super Tuff Orange Rebounder takes durability to the next level. Easily distinguished by its bright orange color, the Super Tuff Orange Rebounder gives you all the benefits of the White Rebounder but can last 2-3 times longer. As stated above, we are continually looking for ways to improve our product, and one key component that has proven very effective is the new molding technique that we’ve incorporated. With this process, the plastic molecules stand up and act like little springs making the wear of the Super Tuff Orange Rebounder longer and better. The feedback we’ve received has been outstanding! In addition to the greater durability, we have also improved the Y-Not Split-It fastener, with an easy to use on/off screw design - no more need for ties!

### **LIQUID FERTILIZER ATTACHMENTS**

Each Rebounder has the option of allowing liquid fertilizer or chemical application. This can be accomplished directly in the furrow with the Hose Holder kit or off to each side with our Y-Not Split-It kit. See our section titled: Rebounder Optional Fittings for full details.

### **WILL THE REBOUNDER DRAG SEEDS IN THE SEED FURROW?**

NO! - As the double discs or True V openers of the planter make the seed V opening the Rebounders trailing end runs about 3/8” off the bottom of the seed V. The Rebounder was designed to be wider than the bottom of seed V thus letting it flex up off the bottom about 3/8”. The half moon notch in the end of the Rebounder centers the seeds in the bottom letting them pass through without being drug along.

### **DOES MUD BUILD UP ON THE REBOUNDER WHEN SOIL CONDITIONS ARE STICKY?**

NO! - The Rebounder does not put pressure in the bottom of the seed V where mud build up can occur in heavier wetter soils. We tell farmers that if they feel comfortable planting and it is wet that they don’t have to worry about the Rebounder building up with mud and dragging seeds. Part of the no mud build up is due to the flexibility built into the Rebounder above the spoon area. This will be discussed in the next question.

### **DOES THE REBOUNDER NEED TO BE ADJUSTED FOR PROPER TENSION IN THE SEED V?**

NO! - The Rebounder was designed out of plastics that have an automatic flexibility built into it to compensate for the different soil types and conditions one might be planting in. This designed flexibility was built in above the spoon area and below the tie or bolted area of the Rebounder. This Rebounders simple design eliminates the need for built in tension adjustment that make it confusing in different soil types and soil conditions to adjust.

### **WHY DOES THE REBOUNDER MOUNT TO THE SEED TUBE?**

The Rebounder has been mounted to the seedtube ever since it was invented over 10 years ago. The Rebounder puts very little pressure on the seed tube preventing damage to the seed tube. The Rebounders shape centers the seed tube in the seed trench behind the double disc openers, keeping the seed tube from rubbing and wearing on the discs. The Rebounder also steadies the seed tube keeping it from vibrating in its holder, thus keeping seeds from bouncing in the seed tube. Schaffert Mfg. & Sales strives to make it as simple as possible!

### **WHY IS THERE MORE WEAR ON ONE SIDE OF THE REBOUNDER?**

Check for a bent planter unit. Also, all right or left lead discs will make the planter trail off to one side causing it not to pull straight. This can lead to excessive wear on planter parts and attachments.