

T.D.I FERTI-PLACER MOUNTING INSTRUCTIONS

Kinze 2000 Series Bolt on Press Wheel, 3000 Series, and White 6000 & 8000
(Read Instructions Completely before Beginning Installation)

Before working on your planter or drill

DANGER: when storing or working on the planter always install cylinder stops or place the planter on stands to prevent personal injury or damage to the attachments.

Mounting Instructions

Before you begin, verify the “package contents” to ensure all items are included.

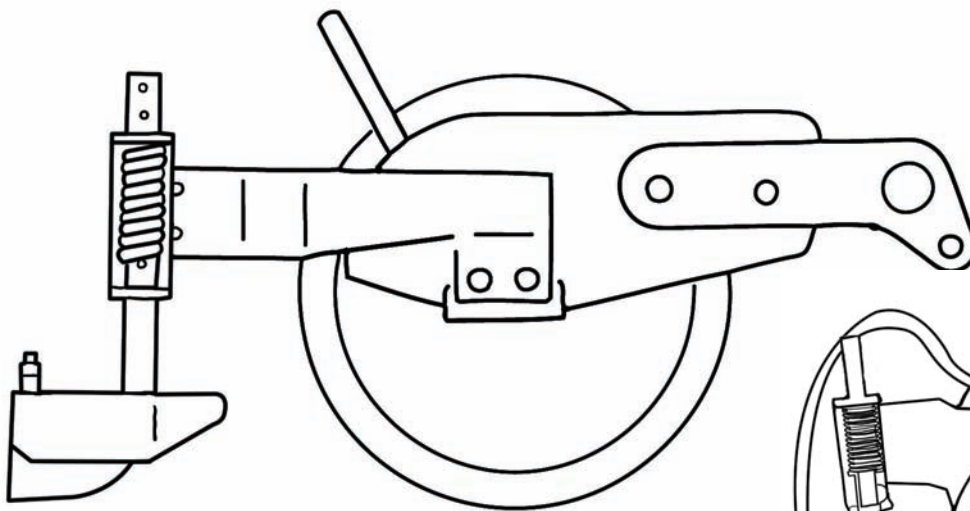
Step #1: remove the right side press wheel. Mount the bracket using the 5/8 x 1 1/4” bolt and 5/8” flange nut in the hole not used for the press wheel. Re-mount the press wheel, using the press wheel mounting bolt as the second bolt for the Ferti-Placer. It is necessary to use the press wheel spacer (on the press wheel already) to allow the press wheel to turn. Tighten all nuts and bolts securely.

Step #2: mount the Ferti-Placer on the right side of the planter bracket in the highest position. Using the 3/8 x 1 “ carriage bolts, 3/8 flat washers, and 3/8 top lock nuts to mount the square shaft bracket to the Ferti-Placer bracket.

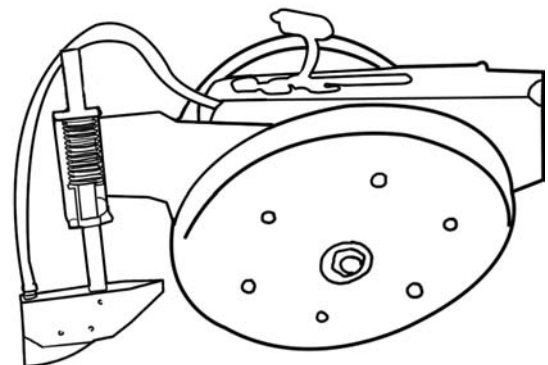
Step #3: adjust in the field. Lower the planter to the ground and drive forward approximately 2 feet. Loosen the carriage bolts on the ferti-placer and move attachment down until there is slight spring tension. Then slightly tilt the Ferti-Placer back to an approximate ten degree angle. Re-tighten the carriage bolts. Drive the planter several more feet forward and do the final adjustments if needed. After several hours of usage, re-tighten all nuts and bolts. You may want to weld brackets in place if they come loose once they are set.

NOTE: for non-usage or storage, simply push the Ferti-Placer up and insert a cotter pin in the hole in the square shaft for the raised position. Raised position can also be used to apply fertilizer in fields with heavy un-manageable residue or some loose worked ground.

Ferti-Placer Package Contents (per single row)	
Item	Quantity
Metal Bracket Planter	1
Spring Cushion Bracket*	1
Poly Block*	1
Knife*	1
THE FOLLOWING ARE USED TO ATTACH THE FERTI-PLACER TO THE BRACKET	
3/8” x 1” carriage bolts	2
3/8” flat washers	2
3/8” top lock nuts	2
THE FOLLOWING ARE USED TO ATTACH THE BRACKET TO THE PLANTER	
5/8” x 1 1/4” bolt	1
5/8” flange nut	1
THE FOLLOWING ARE USED TO ATTACH THE HOSE TO THE TOP OF THE FERTI-PLACER	
5/8” tube clamp	1
3/8” x 1 1/4” bolt	1
3/8” nut	1
Instruction Sheet	1
*NOTE: some hardware is installed at the factory.	



Ferti-Placer on White 6000 Single Planter



Ferti-Placer on Kinze new style Planter