

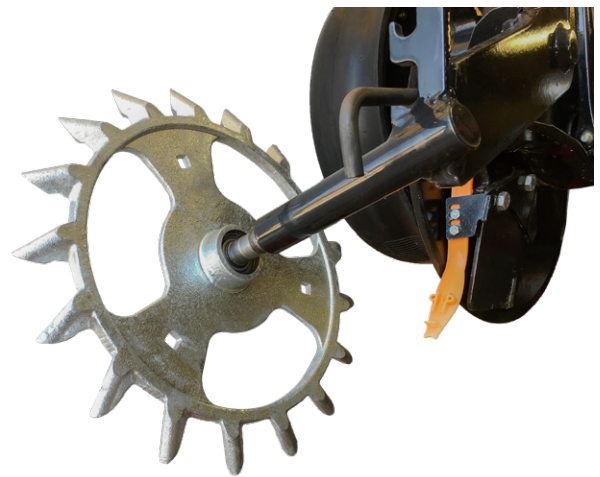
CLOSING WHEEL MOUNTING INSTRUCTIONS

Case IH 500 Drill

Before working on your planter or drill

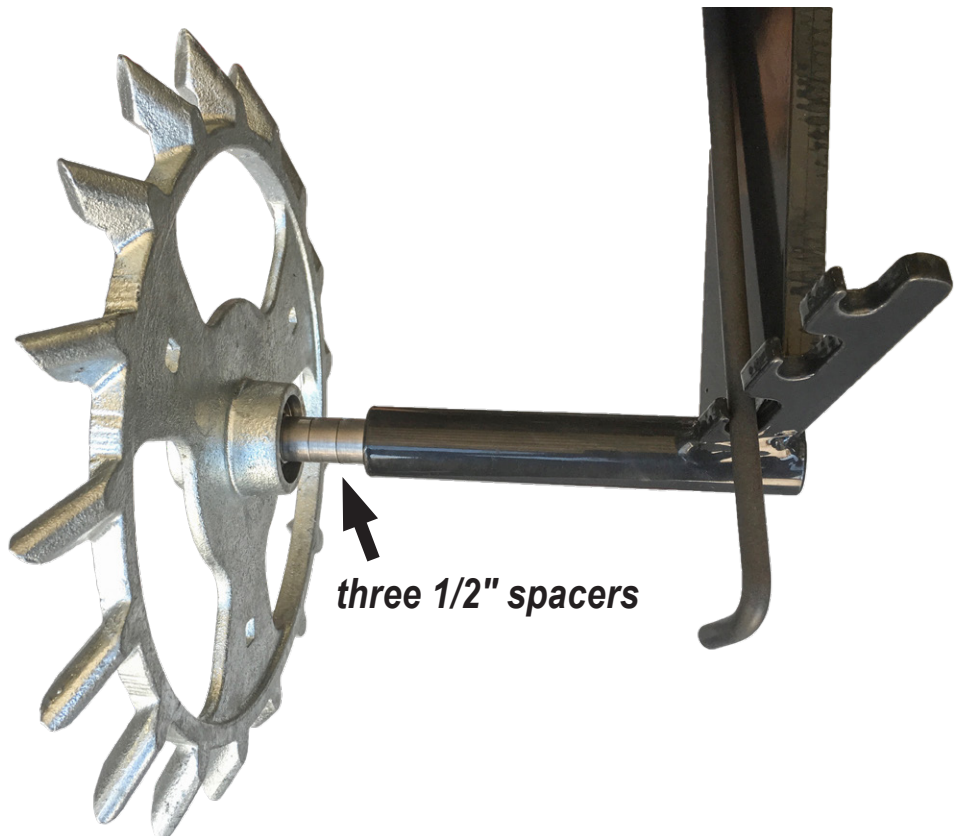
DANGER: When storing or working on the planter always install cylinder stops or place the planter on stands to prevent personal injury or damage to the attachments.

PLEASE: Read instructions completely and verify all package contents before beginning installation.



Closing Wheel Package Contents (per single side)	
Item	Quantity
Closing Wheel (cast Mohawk or Zipper) . . .	1
5/8" x 4" Bolt	1
1/2" Spacer	3
Instruction Sheet	1

1. Remove original closing wheel.
2. Slide the new cast wheel and three 1/2" spacers onto the 4" bolt included.
3. Screw this assembly into the place of the original wheel.



CAST MOHAWK WITH HUB MOUNTING INSTRUCTIONS

Case IH 500 Drill

Before working on your planter or drill

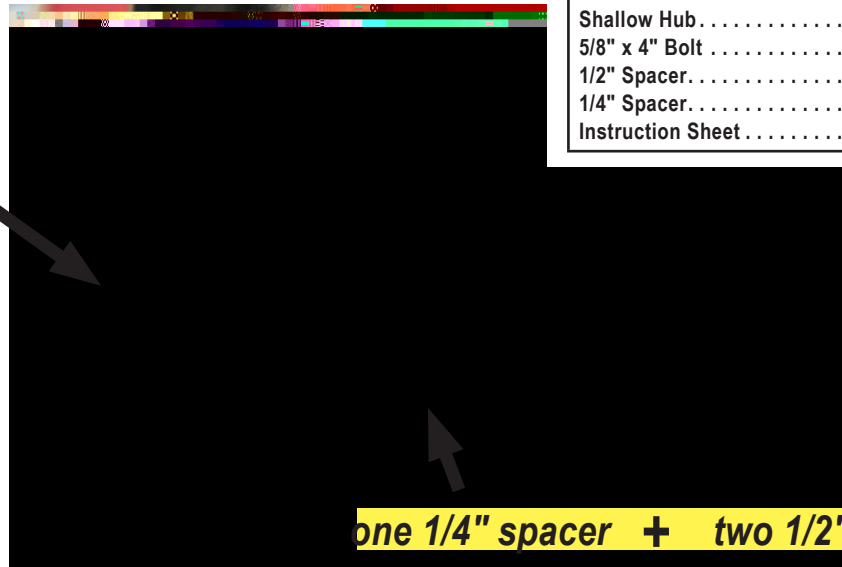
DANGER: When storing or working on the planter always install cylinder stops or place the planter on stands to prevent personal injury or damage to the attachments.

PLEASE: Read instructions completely and verify all package contents before beginning installation.

1. Remove original closing wheel.

Cast Wheel w/ Hub Package Contents (per single side)	
Item	Quantity
Cast Mohawk Wheel	1
Shallow Hub	1
5/8" x 4" Bolt	1
1/2" Spacer	2
1/4" Spacer	2
Instruction Sheet	1

**one 1/4" spacer
between wheel & hub**



2. Slide the new cast wheel, hub and spacers onto the 4" bolt included in this order:

BOLT ← CAST WHEEL ← 1/4" SPACER ← HUB ← 1/4" SPACER ← 1/2" SPACER ← 1/2" SPACER

3. Screw this assembly into the place of the original wheel:

[bolt ← cast wheel ← 1/4" spacer ← hub ← 1/4" spacer ← 1/2" spacer ← 1/2" spacer] → DRILL

