

**FERTILIZER DISC "OUT THE FRONT" MOUNTING INSTRUCTIONS**  
**\*PATENT PENDING\***

John Deere, Kinze, and White Planters  
 (Read Instructions Completely before Beginning Installation)

**Before working on your planter or drill**

**DANGER:** when storing or working on the planter always install cylinder stops or place the planter on stands to prevent personal injury or damage to the attachments.

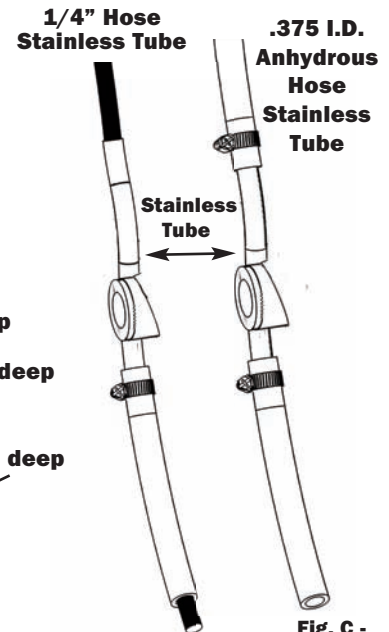
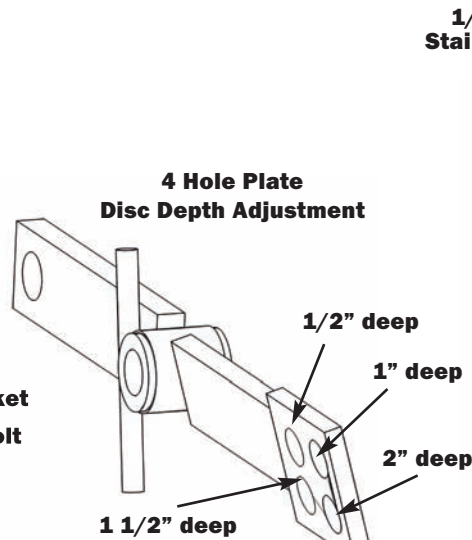
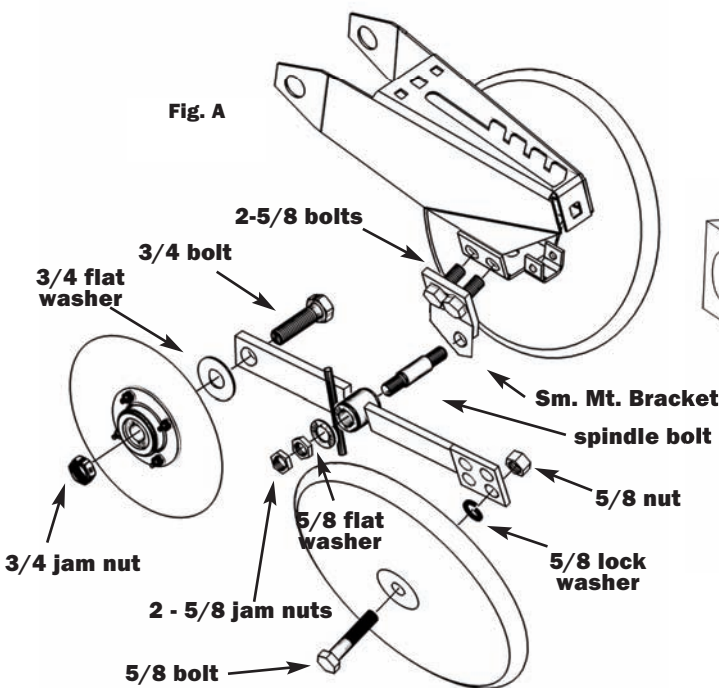
**Mounting Instructions!**

Before you begin, verify the "package contents" to ensure all items are included.

- Step #1:** Remove the left presswheel and bolt the mounting bracket in place using the 2 (5/8"x1-1/4") bolts to the bracket where the presswheel was mounted. Be sure the mounting surface is flat and smooth. An angle grinder can be used to dress up the rough casting surface. (Figure A)
- Step #2:** Insert spindle bolt (does not matter which end) into the bottom hole of the mounting bracket. Insert up to the shoulder of the bolt and tighten down with a 5/8" lock nut.
- Step #3:** Slide the walking arm over the spindle bolt making sure the angled arm is toward the rear of the planter and the straight arm for the disc is toward the front. Slide a 5/8" washer onto the shoulder of the spindle and tighten down with the (2) 5/8" jam nuts against each other, so they don't bind the arm. (Figure A).
- Step #4:** Insert 3/4" bolt from the backside of the straight arm, slide on the 3/4" flat washer, then the 8" steel disc with the hub facing out. Tighten down with the 3/4" jam nut and attach fertilizer hose. (Figure A).
- Step #5:** You are now ready to reinstall the presswheel to the rear of the fertilizer arm. **IMPORTANT:** Be sure to use the 5/8" lock washer provided as a spacer, or your original spacer between the plastic wheel and the fertilizer arm. There are 4 holes of adjustment on the arm for the press wheel. The bottom hole will let the Fertilizer disc run approximately 2" deep. The top hole will let the Fertilizer disc run approximately 1/2" deep and the 2 middle holes allow for additional adjustments in 1/2" increments.

Fertilizer Disc Package Contents (per single row)	
Item	Quantity
5/8 x 1-1/4" bolts . . . . .	2
3/4 x 2" bolt . . . . .	1
5/8" nuts . . . . .	3
5/8" flat washer . . . . .	1
5/8" lock washer . . . . .	1
3/4" washer . . . . .	1
spindle bolt . . . . .	1
3/4" jam nut . . . . .	1
5/8" jam nuts . . . . .	2
BDH 8" steel disc . . . . .	1
NH3 Hose 6" . . . . .	1
Hose Clamp . . . . .	2
Fertilizer Disc Arm . . . . .	1
Small Mt. Bracket . . . . .	1
3/8" Set Screw (installed at factory)	
Instruction Sheet . . . . .	1

- OPTION #1:** 0-10 gal/acre- Insert the 6" Anhydrous type hose over the bottom of the stainless steel tube and clamp down with the hose clamp. Insert black or grey hose through the stainless tube until 1/4" to 1/2" of hose is past the bottom of the anhydrous hose as shown in **Fig. B**. The NH3 hose will keep the smaller hose from splattering fertilizer.
- OPTION #2:** 10 gal/acre or more- Insert the 4" anhydrous hose over the bottom of the stainless steel tube and clamp with the hose clamp. Use the second hose clamp to attach anhydrous (not included) coming from the manifold to the top of the stainless tube as shown in **Fig. C**.



**Fig. B - 0 - 10 gal./acre**  
**Fig. C - 10 gal./acre or more**

**FERTILIZER DISC "OUT THE FRONT" ADDITIONAL INSTALLATION INFORMATION**  
**\*PATENT PENDING\***

**Before working on your planter or drill**

**DANGER:** when storing or working on the planter always install cylinder stops or place the planter on stands to prevent personal injury or damage to the attachments.

